



products



search engine



sales rep locator



capabilities



contact us

THERMOPLASTIC

Material- Call for material specifications

Insert- Brass

Projecting Stud- Steel, zinc plated

Hex Nut- Steel, zinc plated

† Insert- Steel, zinc plated

* Insert- Aluminum



3081



3084



3088/3089 Thru Hole



3086



3087



3088/3094



3093



3096



2031



2031



2033

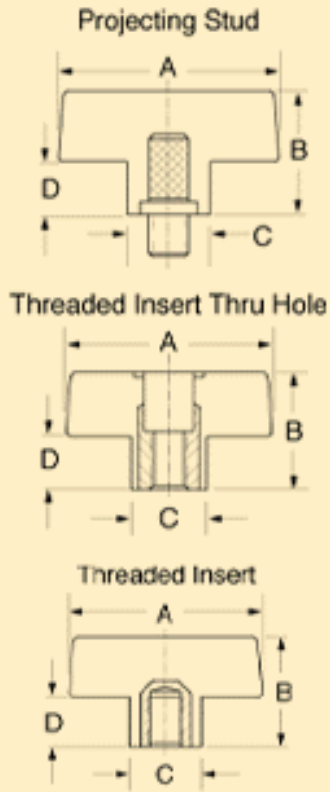


2020



2022

BAR KNOBS



Threaded Insert Thru Hole

Part No.	Insert	
	Thread	Depth
3089AC	1/4-20	Hex Nut**
3089AD	5/16-18	Hex Nut**
3089AE	3/8-16	Hex Nut**
**Nylok locking feature		

[← back](#)